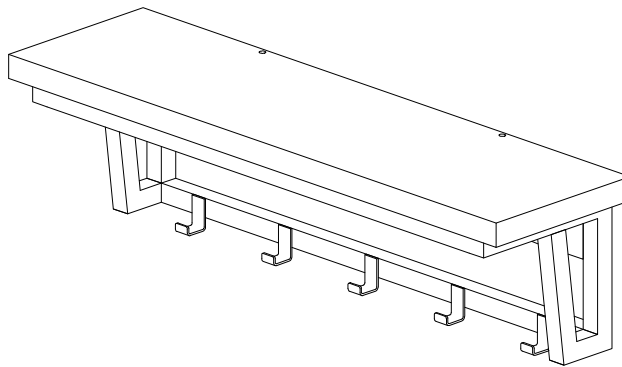


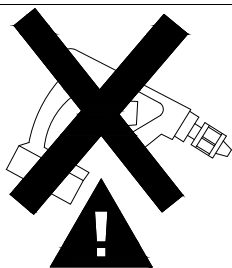
ASSEMBLY INSTRUCTION

COAT HOOK

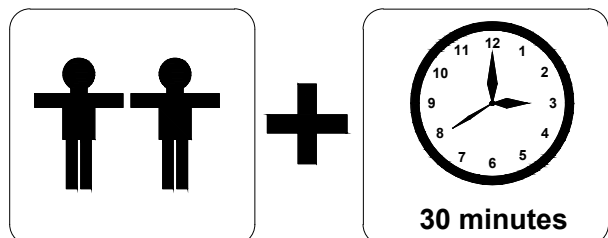


REPLACEMENT PARTS

Please do not contact the company purchased from as we can help you faster.
Order replacement parts and hardware at " www.alaterrefurniture.com "

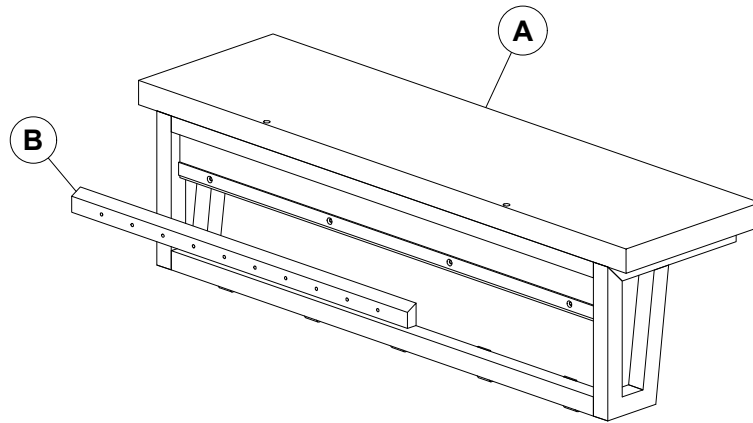


- . Use of power tool to assemble this product will invalidate any claim and damage this product making it unsafe !!!
- . Please assemble on a clean soft surface to avoid damage.

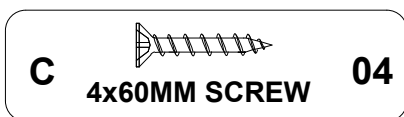


www.alaterrefurniture.com

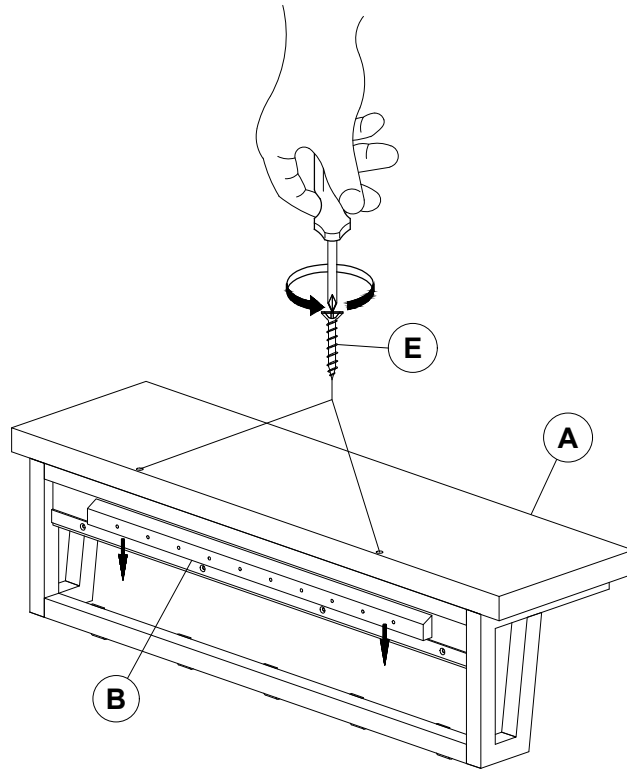
Part list-Claremont Coat Hook



Identifying the hardware-Identify the hardware using the illustrations below



Step 01

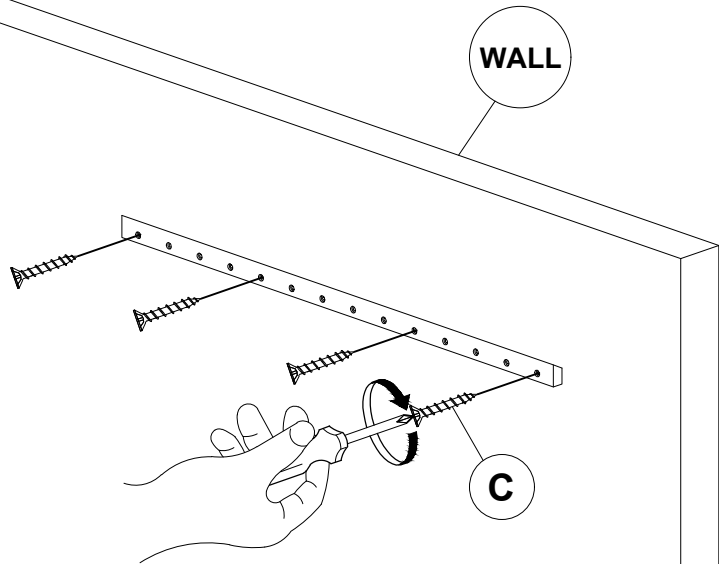


Step 02

C  **04**
4x60MM SCREW

D  **04**
DRYWALL EZ ANCHOR

For the best results, secure cleat to stud in wall. If you are not able to secure cleat to stud in wall, use EZ Anchors.



Step 03

